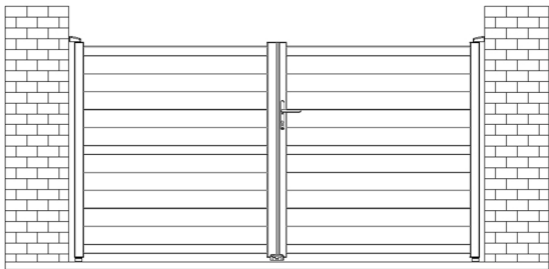
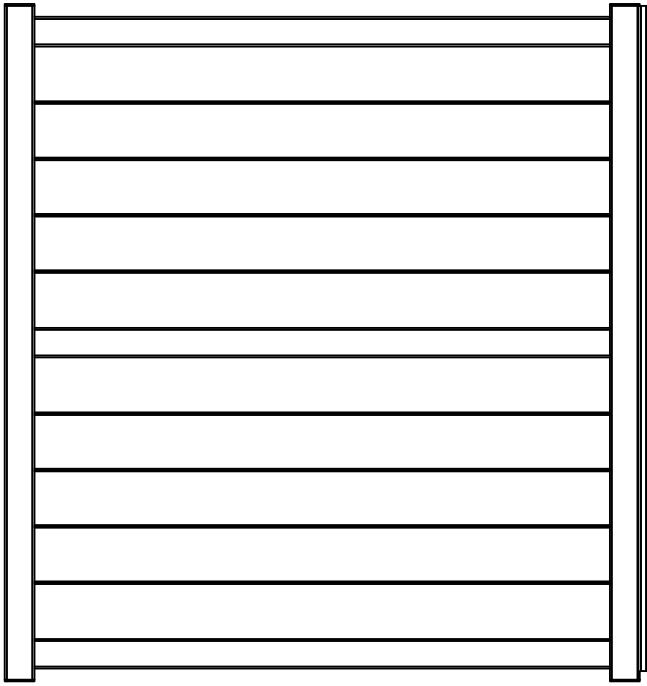


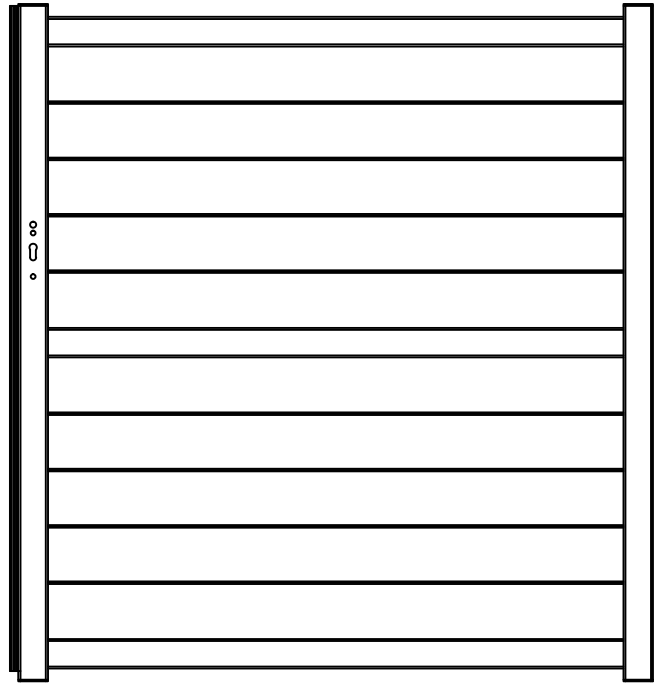


Spring battant

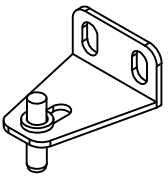




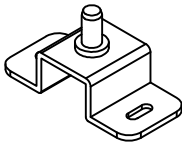
[1]x1



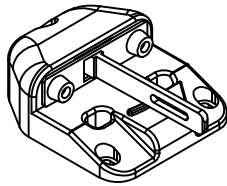
[2]x1



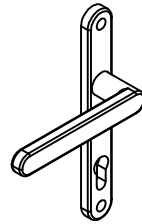
[3]x2



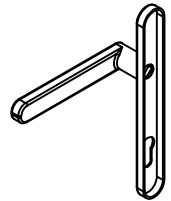
[4]x2



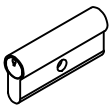
[5]x1



[6]x1



[7]x1



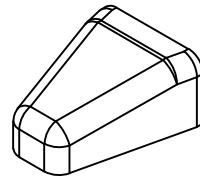
[8]x1



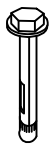
[9]x3



[10]x1



[11]x2



[12]x8

∅10mmx60mm



[13]x2

M5x60mm



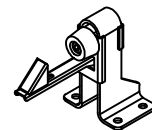
[14]x1

M5x45mm

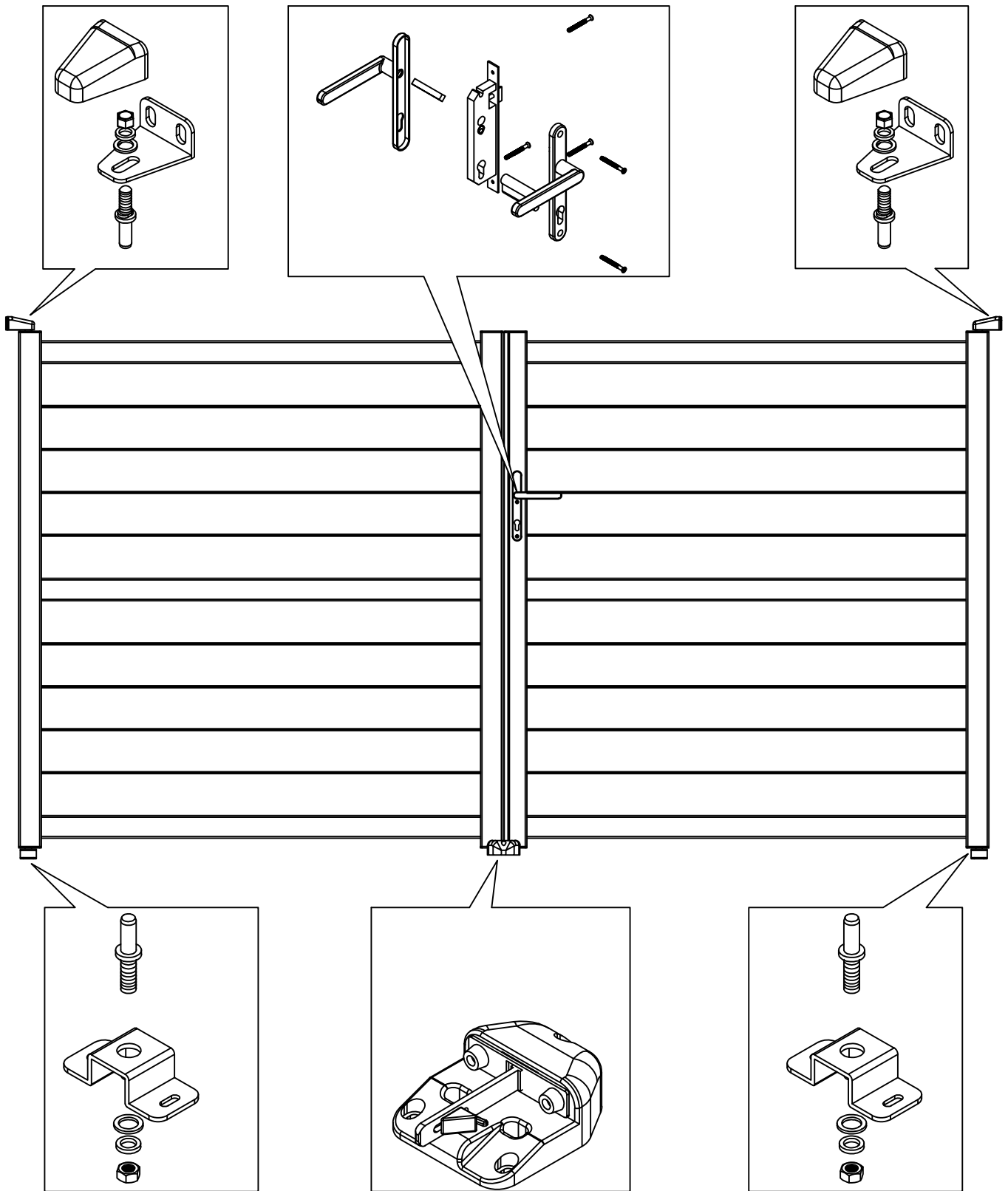


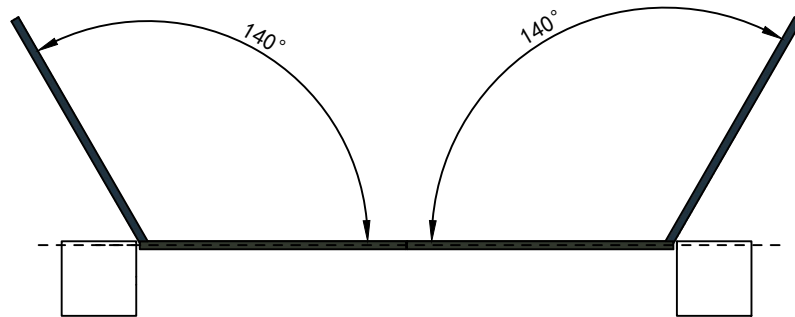
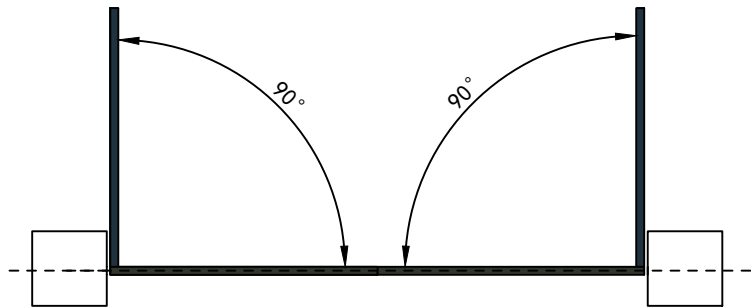
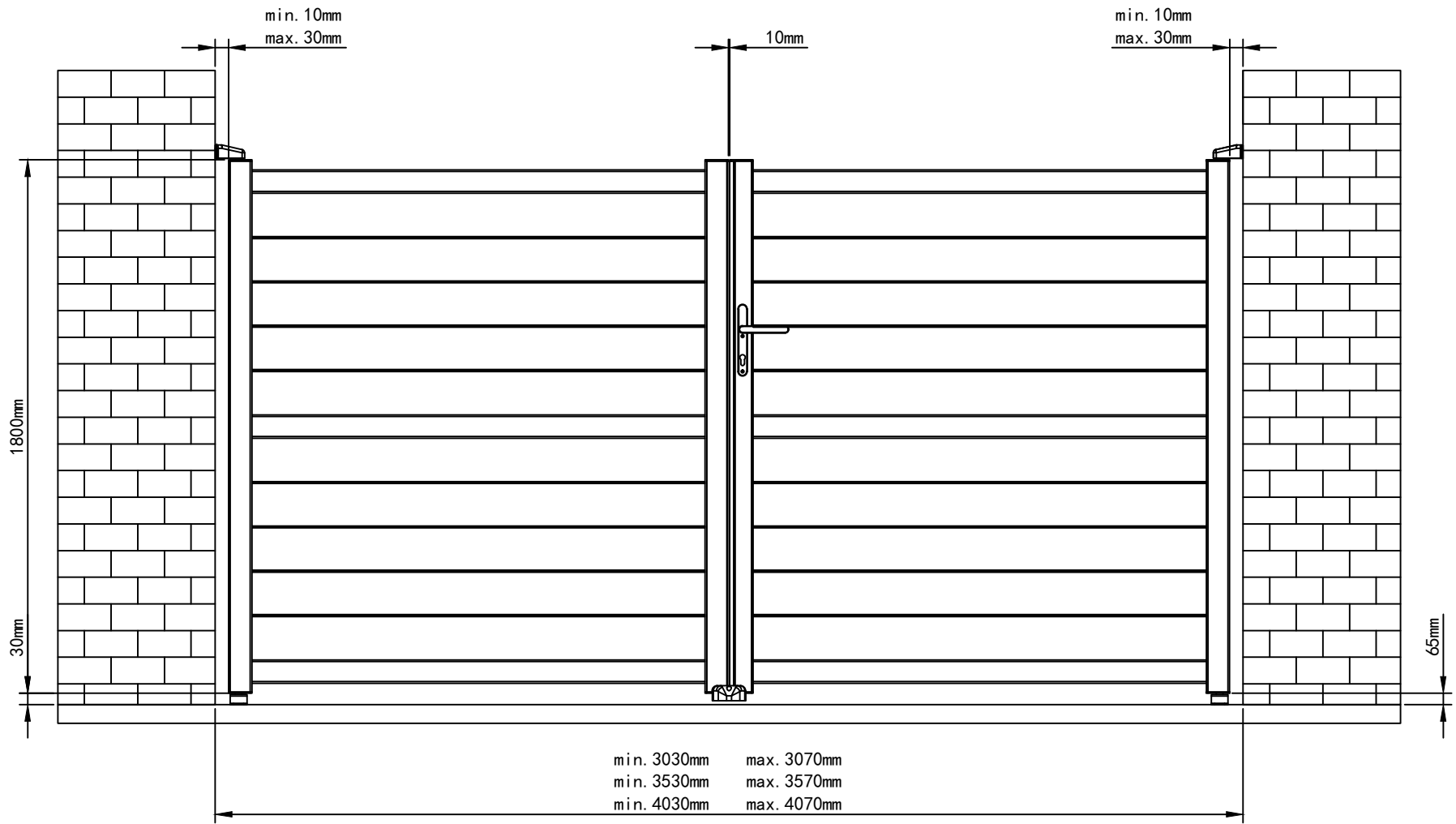
[15]x11

∅10mmx60mm

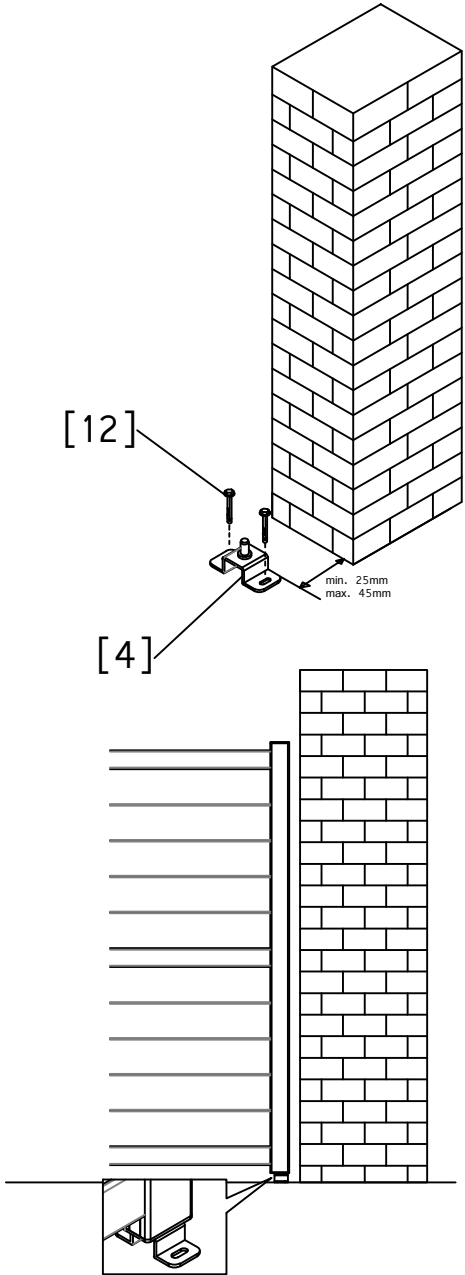


[16]x2

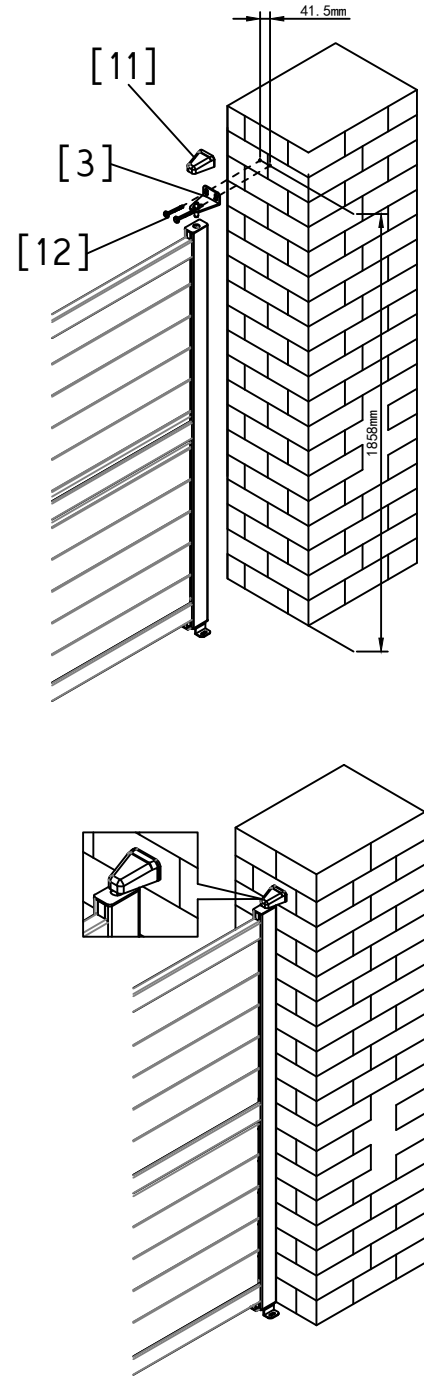


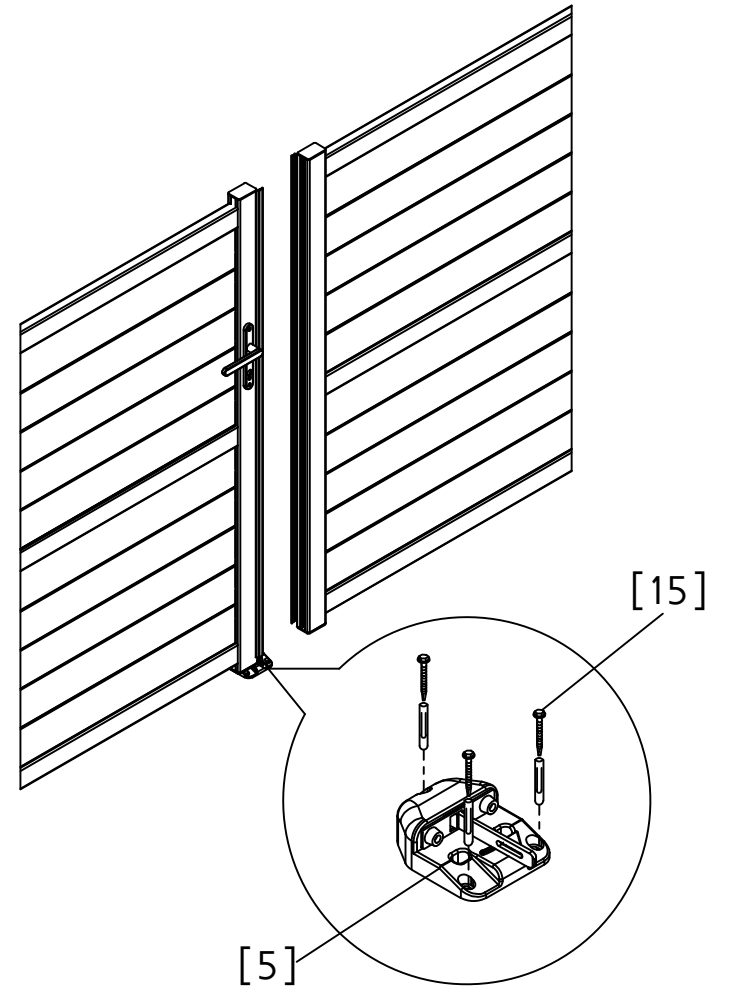
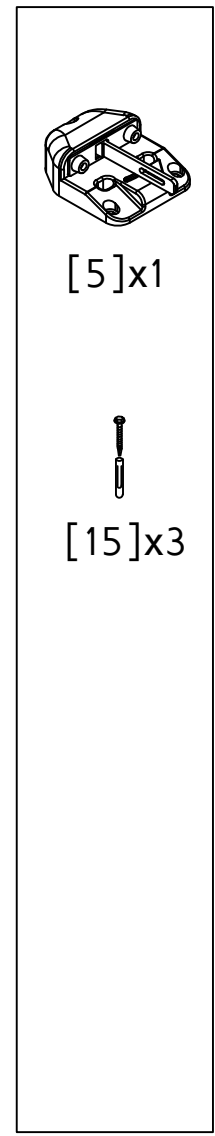
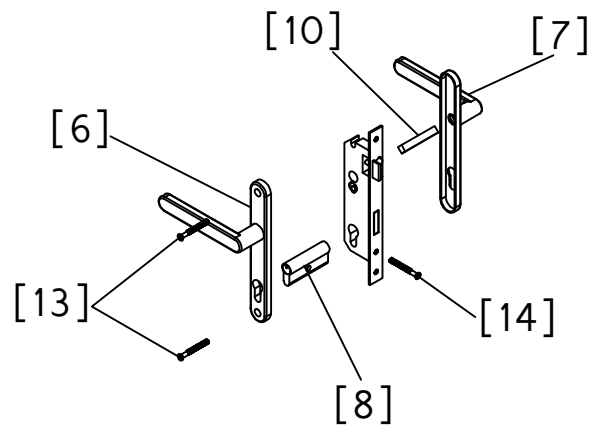
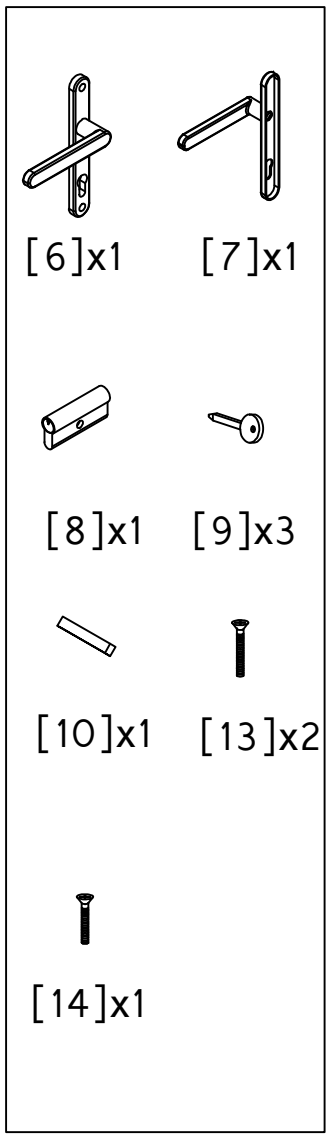


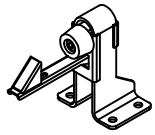
- [4]x2
- [12]x4
- [1]x1
- [2]x1



- [3]x2
- [11]x2
- [12]x4







[16]x2



[15]x8

